

Maintenance

Cleaning the filter

1. Select **Menu>Filter>Clean filter** on the control panel.
2. Wait until the fans have stopped and heat exchanger has cooled down.
3. Clean the filter by using a vacuum cleaner or replace the filters.
4. Select **OK** on the control panel when you have finished cleaning or replacing the filters. The service life of the filters is then reset to zero.

Free-hanging models

1. Remove the grille from the air inlet grille: slide the grille upward, lift the grille a little up and remove it from the frame.
2. Cleaning and replacing the filter. Please ensure that you put it back correctly into the air inlet grille.


Recessed and cassette models

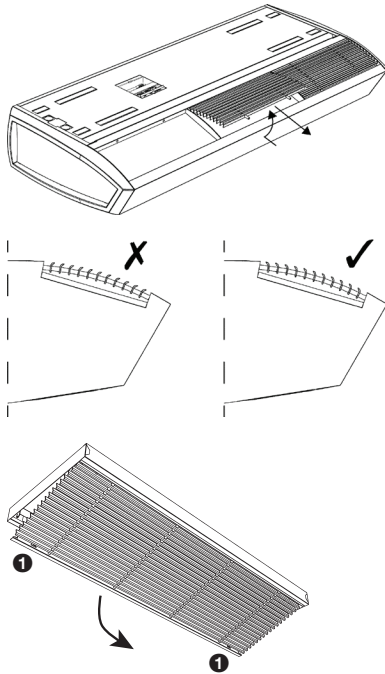
1. Open the inlet grille, push the two pins in the **1** grille towards one another: the grille will tilt down.
2. Slide the filter out of the grille.
3. Clean or replace the filter.

Cleaning the unit

You may clean the exterior of the unit with a damp cloth and a domestic cleansing agent. Do not use any solvents and make sure that no water runs into the unit.

Faults

Touch  for further information on the fault and for instructions as to how to react. For more information please see chapter 5 of the manual Comfort Air Curtain, model SR or contact your installer.



This card provides concise information only. For more detailed information we refer to the manual of the Comfort Air Curtain, model SR.



Name and telephone number installer: